

# ES14-30WA

## 1400kg Electric Straddle Stacker



- Adjustable straddle design offering wide applicability across various pallets
- Great maneuverability in narrow spaces thanks to turtle speed
- Standard proportional lifting system ensuring precise lifting
- Powerful AC vertical traction motor
- LI-ion battery option for flexibility and convenience



Manufacturer			EP
Model designation			ES14-30WA
Drive			Electric
Load capacity	Q	kg	1400
Load center distance	c	mm	600
Service weight		kg	1320
Lift height	h3	mm	3140
Height, mast extended	h4	mm	4115
Length to face of forks	l2	mm	917
Overall width	b1/b2	mm	1270/1370/1470
Fork dimensions	s/e/l	mm	40/100/1070
Turning radius	Wa	mm	1545
Max. gradeability, laden/unladen		%	8/10
Travel speed, laden/unladen		km/h	5.5/6.0
Lifting speed, laden/unladen		m/s	0.127/0.23
Lowering speed, laden/unladen		m/s	0.26/0.20
Battery voltage/nominal capacity		V/Ah	24/210

## FEATURE



### Performance

- The innovative AC system offers strong power, accurate control, excellent performance.
- High strength vertical gearbox, longer working life.
- Low-noise but durable hydraulic unit, good quality cylinder as well as hose ensure the high reliability of hydraulic system.
- AMP connector and durable electric wires greatly reduce malfunctions of components.
- H shape channel mast improves the strength of the whole truck.
- Staddle design ensures the stability of high lifting.



### Safety

- Safe hydraulic system design prevents mast from falling down abruptly when hydraulic pipeline cuts off.
- Emergency reverse button protects the operator from getting hurt.
- Emergency disconnecter will cut off power source to avoid accident when truck goes out of control.
- Multiple lifting limit protection ensures safety.
- Automatic switch to lower speed when the fork reaches its setting height.
- Anti-rolling back brake keeps the truck from skidding down when truck is out of control or travelling on ramp.
- Long operational tiller ensures safety distance for operators.

### Operation

- With the new design of ergonomical tiller head, all buttons can be reached conveniently & comfortably.
- Long tiller reduces the steering force greatly.
- Creep speed function: when tiller is in near vertical position, the driving speed will decrease automatically, allowing delicate operation in confined space.
- Side-open battery design for easy battery replacement and various applications.

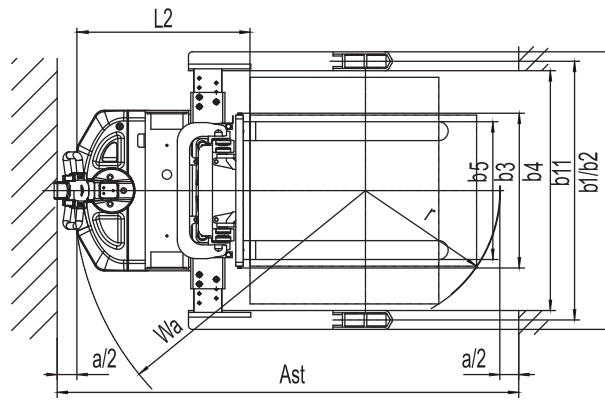
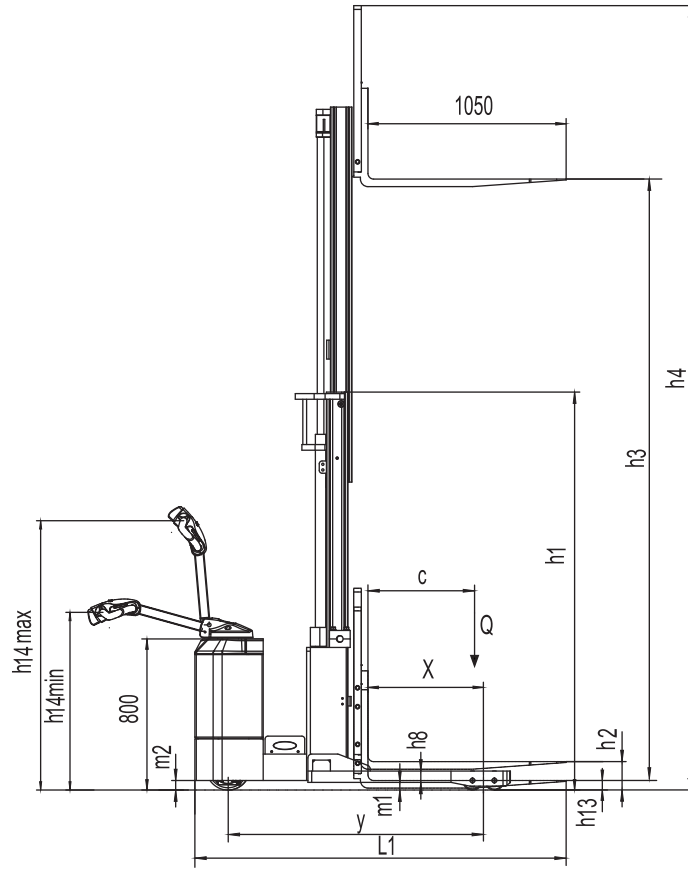
### Maintenance

- AC traction motor, maintenance free.
- Hour meter and battery indicator remind the operator of battery charging.
- Easily remove the back cover by only loosening four bolts; Access to all key components for inspection, maintenance and replacement.
- Vertical motor makes the inspection & service much more convenient.
- Control system allows easy trouble-shooting.
- Mast and chassis are assembled together, easy for maintenance.
- Low voltage cut off setting protects batteries.

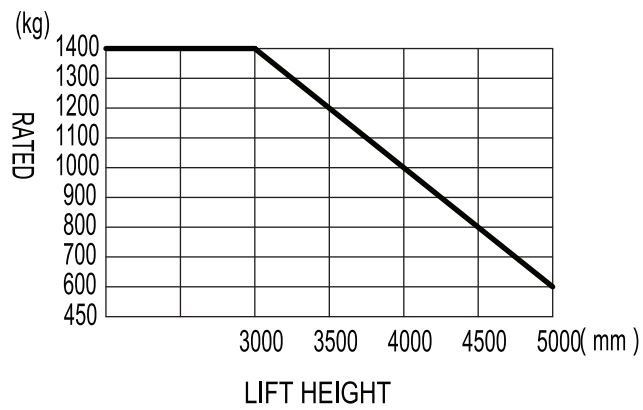
# Electric Stacker 1.4t ES14-30WA

Distinguishing mark	1.1	Manufacturer			EP	
	1.2	Model designation			ES14-30WA	
	1.3	Drive			Electric	
	1.4	Operator type			Pedestrian	
	1.5	Load capacity	Q	kg	1400	
	1.6	Load center distance	c	mm	600	
	1.8	Load distance, centre of drive axle to fork	x	mm	610	
	1.9	Wheelbase	y	mm	1350	
	Service weight	2.1	Service weight		kg	1320
2.2		Axle loading, laden front/rear		kg	815/1905	
2.3		Axle loading, unladen front/rear		kg	805/515	
Tyres/chassis	3.1	Tyre type			Polyurethane	
	3.2.1	Tyre size, front		mm	Φ230x75	
	3.3.1	Tyre size, rear		mm	Φ102x73	
	3.4	Additional wheels (castor wheels)		mm	Φ85x48	
	3.5	Wheels, number front/rear (x=drive wheels)		mm	1x+2/4	
	3.6.1	Tread width, front	b10	mm	580	
	3.7.1	Tread width, rear	b11	mm	1170/1270/1370	
Dimensions	4.0	Max. Lift Height	H	mm	3200	
	4.2	Retracted mast height	h1	mm	2118	
	4.3	Free lift	h2	mm	150	
	4.4	Lift height	h3	mm	3140	
	4.5	Height, mast extended	h4	mm	4115	
	4.6	Initial lift	h5	mm	—	
	4.9	Height of tiller handle in drive position min./max.	h14	mm	990/1500	
	4.10	Height of wheel arms	h8	mm	100	
	4.15	Lowered height	h13	mm	60	
	4.19	Overall length	l1	mm	1987	
	4.20	Length to face of forks	l2	mm	917	
	4.21	Overall width	b1/b2	mm	1270/1370/1470	
	4.22	Fork dimensions	s/e/l	mm	40/100/1070	
	4.24	Fork carriage width	b3	mm	800	
	4.25	Distance between fork-arms	b5	mm	200-760	
	4.26	Distance between wheel arms/loading surfaces	b4	mm	1070/1170/1270	
	Performance data	5.1	Travel speed, laden/unladen		km/h	5.5/6.0
5.2		Lifting speed, laden/unladen		m/s	0.127/0.23	
5.3		Lowering speed, laden/unladen		m/s	0.26/0.20	
5.8		Max. gradeability, laden/unladen		%	8/10	
5.10		Service brake			Electromagnetic	
Electric-engine		6.1	Drive motor rating S2 60 min		kW	1.1
		6.2	Lift motor rating at S3 15%		kW	3.0
		6.4	Battery voltage/nominal capacity		V/Ah	24/210
		6.5	Battery weight		kg	190
		Addition data	8.1	Type of drive control		
10.5	Steering design				Mechanical	
10.7	Sound pressure level at the driver's ear			dB(A)	74	

If there are improvements of technical parameters or configurations, no further notice will be given.  
The diagram shown may contain non-standard configurations.



**RATED CAPACITIES GRAPH**



## Mast Option

Mast types	Lift height h3+h13 (mm)	Height, mast lowered h1 (mm)	Free lift h2 (mm)	Height, mast extended h4 (mm)
2-Standard Mast	2640	1838	150	3555
	3000	2018	150	3915
	3200	2118	150	4115
	3590	2303	150	4505
2-Free Mast	—	—	—	—
	—	—	—	—
3-Free Mast	4000	1822	907	4915
	4500	2022	1107	5415
	4800	2122	1207	5715
	5000	2187	1272	5915

## Option

No.	Optional items	ES14-30WA
1.1	Fork dimension	●1070○1150○1220○920
1.2	Fork lowered height	●60
1.3	Fork carriage width	●800
1.4	backrest height	●915mm
2.1	Load wheel type	●Double
2.2	Load wheel material	●Polyurethane
2.3	Drive wheel material	●Polyurethane
2.7	Battery capacity	●210Ah○205Ah(Li-ion)
2.8	Charger	●24V-30A External○24V-100A External (Li-ion)
2.9	Battery indicator	●With time○With time (Bluetooth, only for Li-ion battery)
2.11	Attachments	●No○External shifter
3.2	Castor wheels	●Yes and can be customized
3.3	Water auto-filling system	●No○Yes and not customized (only for Lead-acid battery)
3.20	Telematics	●No○Yes and not customized (only for Li-ion battery)
4.5	Proportional lift system	●Yes and can be customized

Note: ●Standard ○ Optional - Inconformity