

**MAX-8**

V2303.01



# MAX-8

Excellent Performances & Reliability

## CPCD50-100T8

T8 Diesel Forklift 5.0/6.0/7.0/8.0/10.0t

**EP EQUIPMENT CO.,LTD**  
[www.ep-equipment.com](http://www.ep-equipment.com)

# CPCD50/60/70T8

T8 series 5.0-7.0t forklift specification:-

General		EP												
1	Manufacture	CPCD50T8	CPCD60T8	CPCD70T8	CPCD50T8	CPCD60T8	CPCD70T8	CPCD50T8	CPCD60T8	CPCD70T8	CPCD50T8	CPCD60T8	CPCD70T8	
2	Model												CPCD70T8	
3	Power type													
4	Rated capacity	Kg	5000	6000	7000	5000	6000	7000	5000	6000	7000	5000	6000	7000
5	Load center	mm												
6	Lift height	mm												
7	Free lift height	mm												
8	Fork size	L×W×T												
9	Mast tilt range	F/R												
10	Fork overhang(wheel center to fork face)	mm												
11	Rear overhang	mm	700	810	770	700	770	770	700	770	770	700	770	770
12	Length to face of fork	mm	3480	3590	3590	3480	3590	3590	3480	3590	3590	3480	3590	3590
13	Overall width	mm												
14	Mast lowered height	mm												
15	Mast extended height	mm												
16	Overhead guard height	mm												
17	Turning radius(outside)	mm	3330	3480	3480	3330	3480	3480	3330	3480	3480	3330	3440	3480
18	Minimum rectangular aisle width.	mm	4068	4218	4218	4068	4218	4218	4068	4218	4218	4068	4218	4218
19	Travel (No load)	Km/h												
21	Speed	mm/sec	500/380	500/340	500/330	500/380	500/340	500/330	500/380	500/340	500/330	500/380	500/380	500/380
22	Max.Drawbar Pull (Full load)	N	42000	42000	52000	42000	42000	52000	42000	42000	52000	42000	42000	52000
23	Max.Gradeability (Full load)	%												
24	Tyres	mm												
25	Front	mm												
26	Rear	mm												
27	Font	mm												
28	Rear	mm												
29	Wheelbase	mm												
30	Ground clearance	mm												
31	Mast (No/Full load)													
32	Frame (No/Full load)													
31	Self weight	Kg	8000	8650	9050	8000	8650	9050	8000	8650	9050	8000	8650	9050
32	Full load	Kg	10660	12452	13642	10660	12452	13642	10660	12452	13642	10660	12452	13642
33	Rear	Kg	2340	2198	2028	2340	2198	2028	2340	2198	2028	2340	2198	2028
34	Front	Kg	2800	3028	3168	2800	3028	3168	2800	3028	3168	2800	3028	3168
35	Rear	Kg	5200	5622	5882	5200	5622	5882	5200	5622	5882	5200	5622	5882
36	Battery	V/AH												
37	Modal		S6S-T			QSF3-8				6BG332			6BG1	
38	Manufacture		Mitsubishi		Cummins					CY			ISUZU	
39	Rated output/r.p.m	kw	63.9/2300							85/2200			82.3/2000	
40	Rated torque/r.p.m	N.m	285/1700							450/1400-1800			416/1400-1600	
41	No.of cylinder		6			4				6			6	
42	Bore*Stroke	mm	94*120			102*115				102*118			105/125	
43	Displacement	cc	4996			3757				5785			6494	
44	Fuel tank capacity	L	140			140				140			140	
45	Manufacture									OEM				
46	Type									Powershift				
47	Stage									2/2				
48	Operating pressure	Mpa								19				

1.Special lifting height available for further information please contact us. 2.Attachment available.

3.The specification in the table are for standard models only. For further information please contact us. 4.Specification are subject to change without notice.

# CPCD80/100T8

T8 series 8.0-10.0t forklift specification:

General		CPCD80T8	CPCD100T8	CPCD80T8	CPCD100T8	CPCD80T8	CPCD100T8	
1	Manufacture						EP	
2	Model							
3	Power type						Diesel	
4	Rated capacity	8000	10000	8000	10000	8000	10000	
5	Load center						600	
6	Lift height						3000	
7	Free lift height						200	
8	Fork size	L×W×T	1520×160×80	1520×160×75	1520×160×80	1520×160×75	1520×160×80	
9	Mast tilt range	F/R					6/12	
10	Fork overhang(wheel center to fork face)						728	
11	Rear overhang		700	680	700	680	700	
12	Length to face of fork		4250	3950	4250	3950	4250	
13	Overall width						2245	
14	Mast lowered height						2850	
15	Mast extended height						4420	
16	Overhead guard height						2560	
17	Turning radius(outside)		4050	3700	4050	3700	4050	
18	Minimum rectangular aisle width.		4950	4580	4950	4580	4950	
19	Speed	Travel (No load)					25	
20	Lifting (Full load)							
21	Max.Drawbar Pull (Full load)		390/340	480/350	390/340	480/350	390/340	
22	Max.Gradeability (Full load)		61000	58000	61000	58000	61000	
23							20	
24	Tyres	Front	4x900-20-14PR					
25	Rear		2x900-20-14PR					
26	Tread	Front	1600					
27	Rear		1700					
28	Wheelbase		2800	2500	2800	2500	2800	
29	Ground clearance	Mast (No/Full load)	240/190					
30		Frame (No/Full load)	350/340					
31	Self weight		12900	11050	12900	11050	12900	
32	Weight	Front	17200	17200	20900	17200	20900	
33	Weight	Rear	1850	1850	1960	1850	1960	
34	Distribution	Front	4900	4900	6260	4900	6260	
35	Battery	Rear	6150	6150	6640	6150	6640	
36	Voltage/Capacity						24/80	
37	Modal	6BG332					OSF3-8	
38	Manufacture	CHAO CHAI					Cummins	
39	Rated output/r.p.m	85/2200					86/2200	
40	Rated torque/r.p.m	450/1400-1800					470/1320	
41	No of cylinder	6					4	
42	Bore×Stroke	102×118					102×115	
43	Displacement	5785					3757	
44	Fuel tank capacity	160					160	
45	Manufacture						OEM	
46	Type						Powershift	
47	Stage						2/2	
48	Operating pressure						20.5	

1.Special lifting height available for further information please contact us. 2.Attachment available.

3.The specification in the table are for standard models only. For further information please contact us.

4.Specification are subject to change without notice.

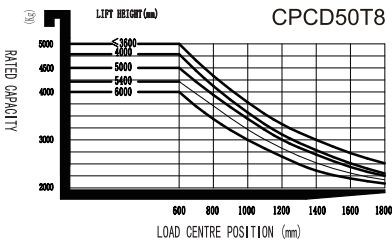
**5.0/6.0/7.0t T8 series mast: (pneumatic)**

Type	Model	Max. fork height	Overall height			Free lift		Front Overhang	Tilt range		Capacity		
			Lowered	Extended		Without backrest	With backrest		FWD	BWD	Load capacity at 600 mm		
				Without backrest	With backrest						5.0t	6.0t	7.0t
			mm	mm	mm	mm	mm		mm	mm	Deg	Deg	kg
Wide view mast	2W300	3000	2510	4000	4430	130	130	635	6	12	5000	6000	7000
	2W330	3300	2660	4200	4730	130	130	635	6	12			
	2W350	3500	2760	4500	4930	130	130	635	6	12			
	2W400	4000	3020	5000	5430	130	130	635	6	12			
	2W450	4500	3310	5500	5930	130	130	635	6	6			
	2W500	5000	3560	6000	6430	130	130	635	6	6	4800	5800	6800
2W550	5500	3860	6500	6930	130	130	635	6	6	4500	5500	6400	
Wide view full 2-stage mast	2F300	3000	2480	4000	4430	1545	1090	635	6	12	5000	6000	—
	2F330	3300	2630	4300	4730	1695	1240	635	6	12			
	2F350	3500	2730	4500	4930	1795	1340	635	6	12			
	2F400	4000	3030	5000	5430	2095	1640	635	6	12			
Wide view full 3-stage mast	3F450	4500	2650	5455	5850	1670	1285	680	6	6	4500	5500	6500
	3F480	4800	2765	5755	6150	1785	1390	680	6	6			
	3F500	5000	2830	5955	6350	1850	1455	680	3	6			
	3F540	5400	2965	6455	6850	1985	1590	680	3	6	4200	5200	5500
	3F600	6000	3165	6955	7350	2185	1790	680	3	6	4000	5000	5300

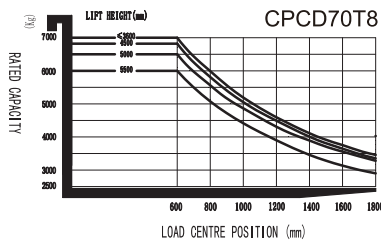
**8.0/10.0t T8 series mast: (pneumatic)**

Type	Model	Max. fork height	Overall height			Free lift		Front Overhang		Tilt range		Capacity	
			Lowered	Extended	Without backrest	With backrest	8.0t	10.0t	FWD	BWD	Load capacity at 600 mm		
											mm	mm	mm
			mm	mm	mm	mm	mm	mm	mm	Deg	Deg	kg	kg
Wide view mast	2W300	3000	2920	4470	210	210	728	728	6	12	8000	10000	
	2W330	3300	3070	4770	210	210	728	728	6	12			
	2W350	3500	3170	4970	210	210	728	728	6	12			
	2W400	4000	3470	5470	210	210	728	728	6	12			
	2W450	4500	3720	5970	210	210	728	728	6	12			
	2W500	5000	3970	6470	210	210	728	728	6	6	7200	8500	
2W550	5500	4270	6970	210	210	728	728	6	6	7200	8500		
Wide view full 3-stage mast	3F450	4500	2900	6010	1380	1380	768	768	6	6	7200	7800	
	3F480	4800	3000	6310	1480	1480	768	768	6	6	7000	7650	
	3F500	5000	3065	6510	1545	1545	768	768	6	6	6300	7500	
	3F540	5400	3255	6910	1735	1735	768	768	3	6	6500	7200	
	3F600	6000	3455	7510	1935	1935	768	768	3	6	6000	6000	

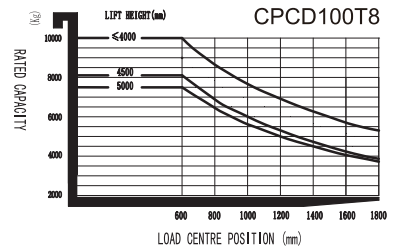
RATED CAPACITIES AND LOAD CENTERS GRAPH



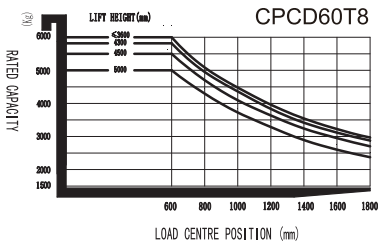
RATED CAPACITIES AND LOAD CENTERS GRAPH



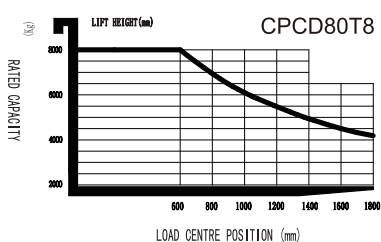
RATED CAPACITIES AND LOAD CENTERS GRAPH



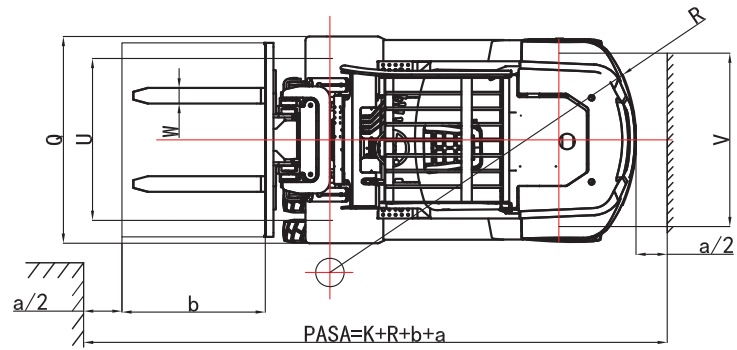
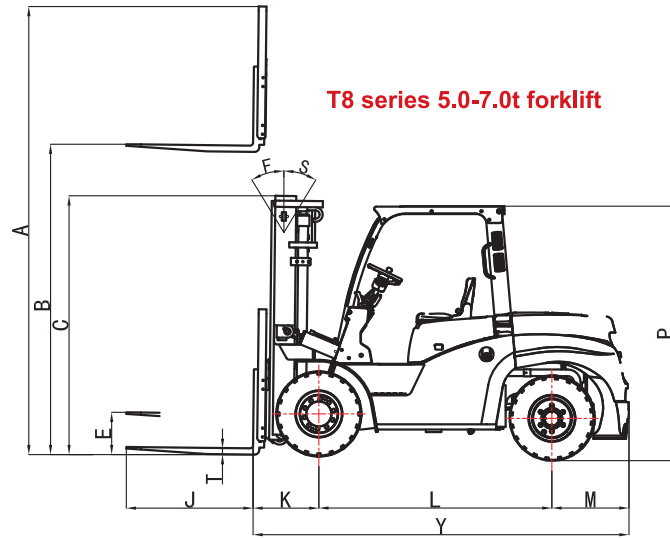
RATED CAPACITIES AND LOAD CENTERS GRAPH



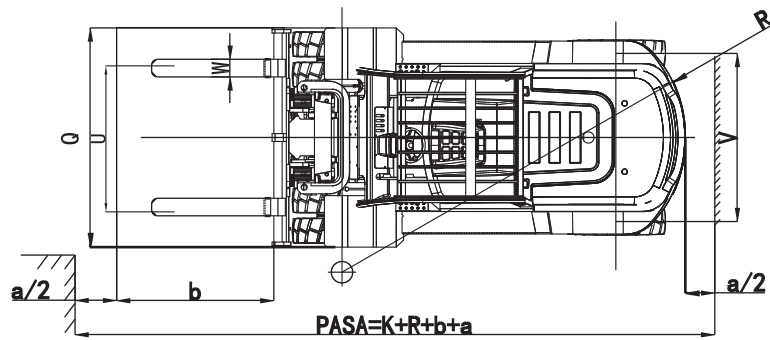
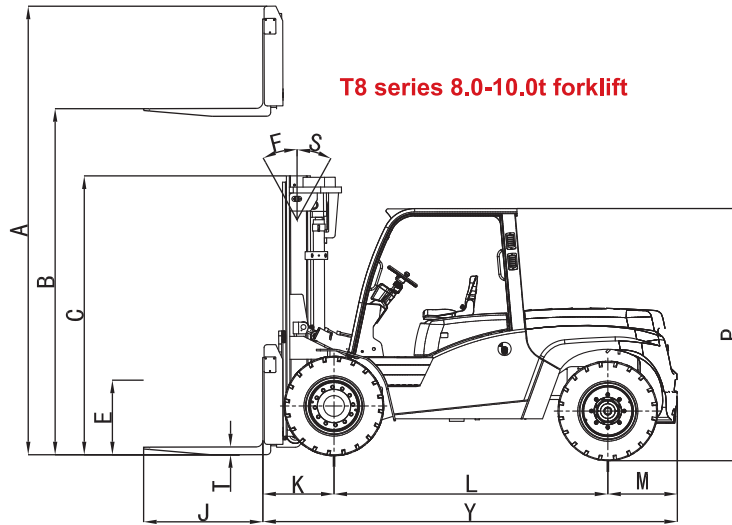
RATED CAPACITIES AND LOAD CENTERS GRAPH



**T8 series 5.0-7.0t forklift**



**T8 series 8.0-10.0t forklift**



# Option

Options	CPCD50T8	CPCD60T8	CPCD70T8	CPCD80T8	CPCD100T8
1 Other dimension forks	○	○	○	○	○
2 Fork Extension	○	○	○	○	○
3 Folding fork	○	○	○	○	○
4 Fork positioner	○	○	○	○	○
5 Imported engine	○	○	○	○	○
6 High-mounted Exhaust system	○	○	○	○	○
7 Dual air cleaner	○	○	○	○	○
8 Solid tyre	○	○	○	○	○
9 No-mark tyre	○	○	○	○	○
10 Special height overhead guard	○	○	○	○	○
11 Overhead guard rainproof hood	●	●	●	●	●
12 Different lifting height masts	○	○	○	○	○
13 Attachment	○	○	○	○	○
14 Cabin	○	○	○	○	○
15 Heater	○	○	○	○	○
16 Front window with wiper	○	○	○	○	○
17 Rear window with wiper	○	○	○	○	○
18 Cabin without side doors	●	●	●	●	●
19 LED Front working light	●	●	●	●	●
20 LED rear working light	○	○	○	○	○
21 Fire extinguisher	○	○	○	○	○
22 Luxury Seat(full suspension)	○	○	○	○	○
23 Seat switch	●	●	●	●	●
24 Warning light under engine cover	○	○	○	○	○
25 Insulation mat	○	○	○	○	○
26 OPS system	○	○	○	○	○
27 Special carriage and backrest	○	○	○	○	○
28 FAN	○	○	○	○	○

Note: ● standard ○ option — NA



**T8 series 5.0-7.0t forklift**



**T8 series 8.0-10.0t forklift**

